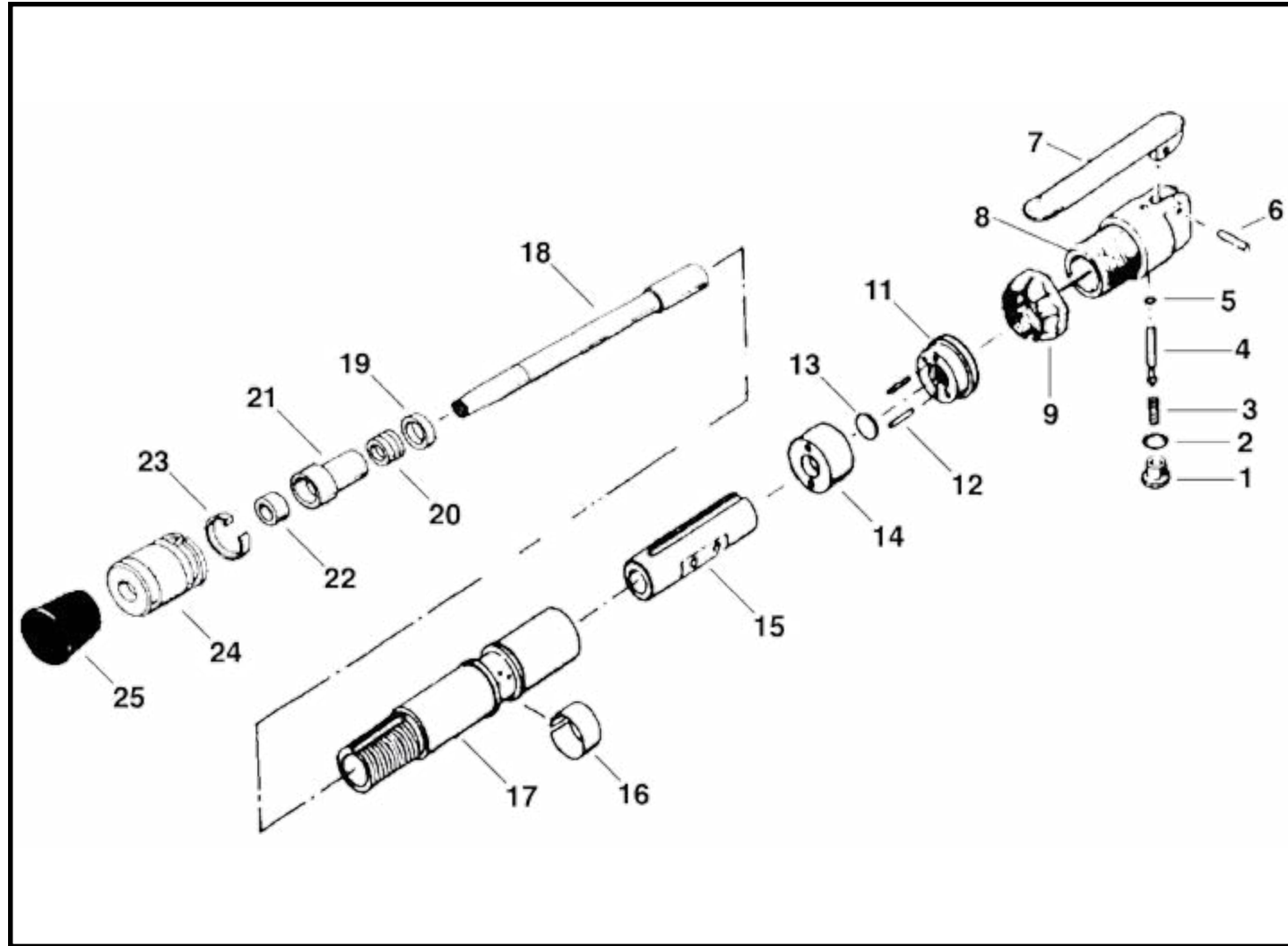




# SF-OBR Rammer



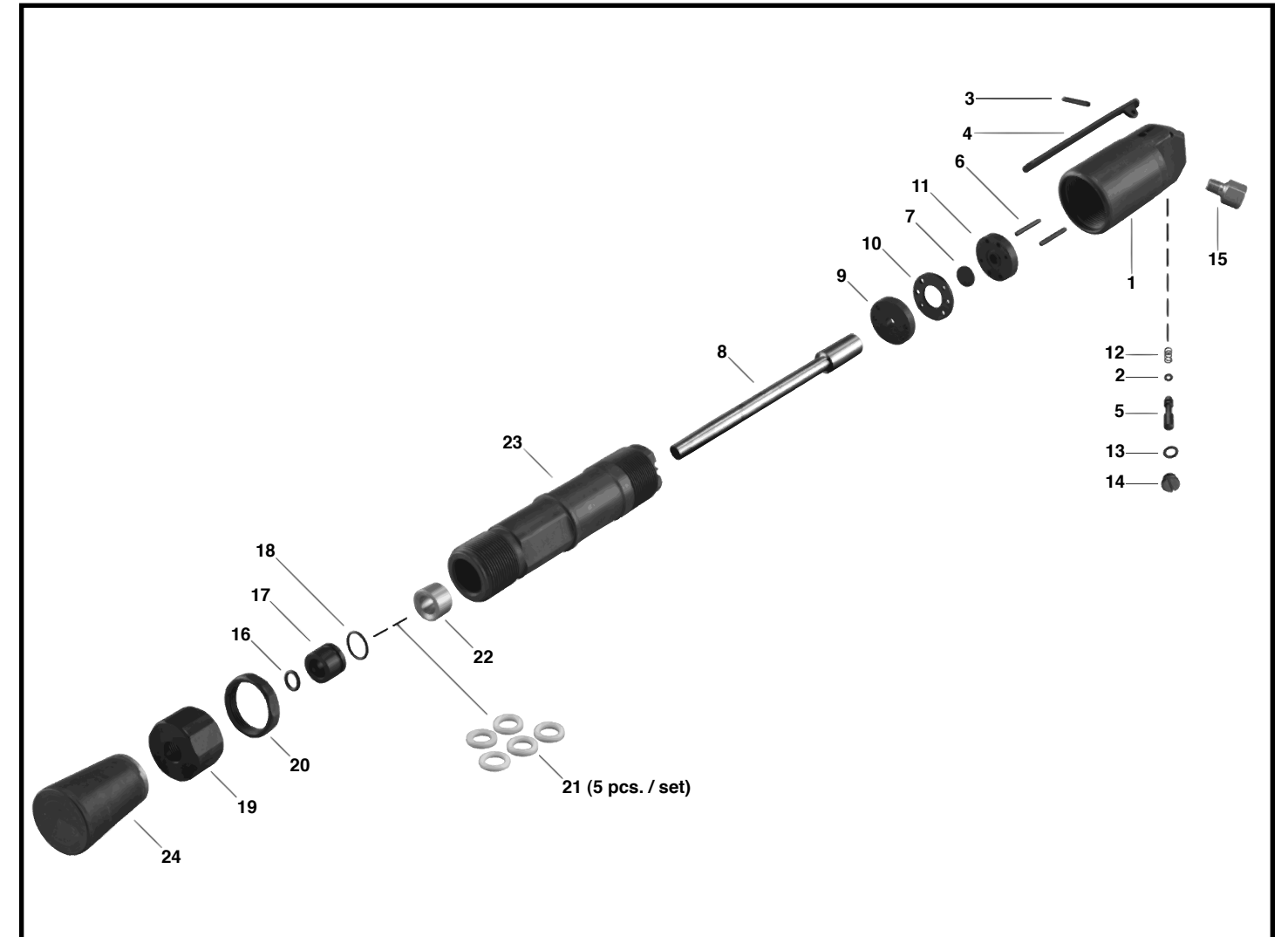
| Index | Part No. | Description           |
|-------|----------|-----------------------|
| 1     | S832207  | Throttle Valve Cap    |
| 2     | S832636  | Throttle Valve Gasket |
| 3     | S832078  | Throttle Valve Spring |
| 4     | S834782  | Throttle Valve        |
| 5     | S844302  | Throttle Valve O-Ring |
| 6     | S834848  | Throttle Lever Pin    |
| 7     | S834780  | Throttle Lever        |
| 8     | S834781  | Backhead              |
| 9     | S832882  | Backhead Lock Nut     |
| 11    | S832173  | Valve Block Button    |
| 12    | S832126  | Valve Block Dowel Pin |
| 13    | S832196  | Flutter Valve         |

| Index | Part No. | Description           |
|-------|----------|-----------------------|
| 14    | S832508  | Valve Block           |
| 15    | S832702  | Cylinder Sleeve       |
| 16    | S842396  | Exhaust Deflector     |
| 17    | S832929  | Barrel                |
| 18    | S832749  | Piston                |
| 19    | S832897  | Packing Washer        |
| 20    | S831285  | Packing               |
| 21    | S832862  | Gland Bushing         |
| 22    | S832928  | Front Rod Seal        |
| 23    | S832855  | Packing Nut Lock Clip |
| 24    | S832878  | Packing Nut           |
| 25    | SR-251S  | 2-3/8" Rubber Butt    |

**\*\*ALL PRICING IS SUBJECT TO CHANGE WITHOUT NOTICE\*\***



# SF-00BA Rammer



| Index | Part No. | Description      |
|-------|----------|------------------|
| 1     | SF-G01   | Backhead         |
| 2     | SF-G02   | O-Ring           |
| 3     | SF-G03   | Lever Pin        |
| 4     | SF-G04   | Throttle Lever   |
| 5     | SF-G05   | Throttle Valve   |
| 6     | SF-G06   | Pin              |
| 7     | S832196  | Main Valve       |
| 8     | SF-G08   | Piston           |
| 9     | SF-G09   | Bottom Valve Set |
| 10    | SF-G10   | Valve Washer     |
| 11    | SF-G11   | Top Valve Set    |
| 12    | SF-G12   | Throttle Spring  |

| Index | Part No. | Description                  |
|-------|----------|------------------------------|
| 13    | SF-G13   | O-Ring                       |
| 14    | SF-G14   | Throttle Plug                |
| 15    | SF-00300 | Inlet Bushing                |
| 16    | SF-G16   | O-Ring                       |
| 17    | SF-G17   | Gland Bushing                |
| 18    | SF-G18   | O-Ring                       |
| 19    | SF-G19   | Gland Cap                    |
| 20    | SF-G20   | Lock Nut                     |
| 21    | SF-G21   | Packing                      |
| 22    | SF-G22   | Gland Washer                 |
| 23    | SF-G23NN | Barrel                       |
| 24    | SR-201S  | Rubber Butt (1-3/4" S Taper) |

**\*\*ALL PRICING IS SUBJECT TO CHANGE WITHOUT NOTICE\*\***